

INSTALLATION INSTRUCTIONS

2004/2013 Harley Davidson Road Glide



XMC-5750D Headlight Installation



VORTEX XMC-5750D SERIES SPECIFICATIONS

1. Warranty : Extended
2. Input Voltage : 12V
3. Modes : Low, High, Halo
4. LED Lifespan : 50,000 Hours

▲ WARNING: Due to excessive light amount you may need to bring your light into a dealer to get it properly adjusted. Weight and tire pressure can affect the position of the light

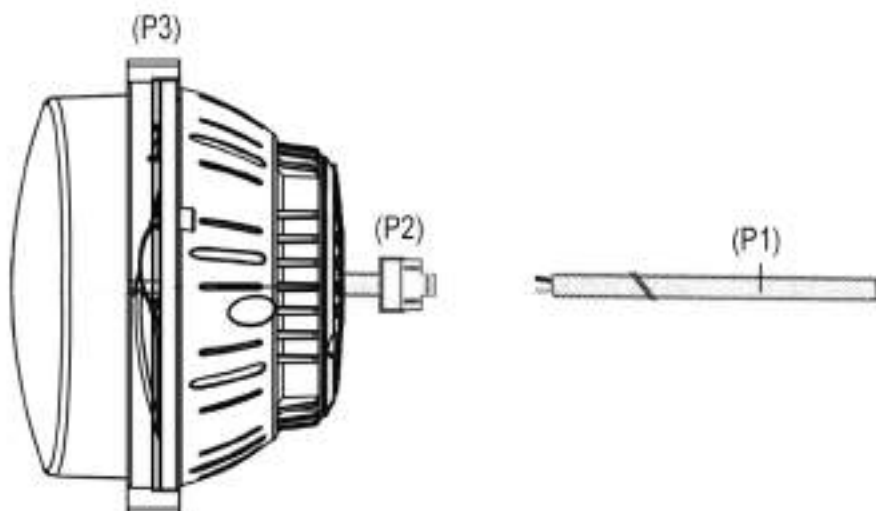
▲ WARNING: Disconnect battery cables before starting the install to prevent vehicle start-up or accidental turning on of anything electrical, which could cause death or serious injury.

▲ WARNING: Disconnect negative battery wire first. If positive wire makes contact with ground wire connected, the resulting sparks can cause a battery explosion, which could result in death or serious injury.

▲ WARNING: An additional step to prevent accidental electrical shock, which could cause death or serious injury, remove main fuse before proceeding. Follow the instructions in the service manual to disconnect the battery cables, negative (1) cable first or remove the main fuse.

▲ WARNING: After installing seat, pull upward on seat to be sure it is locked in position. While riding, a loose seat can shift making it hard for the rider to keep control of the motorcycle.

XMC-5750D Headlight Installation



COMPONENTS KEY

Part (P1): Existing Vehicle Light Wiring

Part (P2): H4 Connector

Part (P3): Vortex 5.75 LED Light

TESTING THE LIGHT

1. After all connections have been made start your vehicle and test your switch to make sure it turns on the light.
2. Make sure the angle of your light is correct, otherwise adjust the light angle again.
3. Make sure no wire or other components of the harness are exposed to water spray, excessive heat, or moving parts.

TIP: We recommend checking each bolt and nut, as well as the connectors after driving your vehicle for an extended period of time to ensure that each light is securely mounted.

XMC-5750D Headlight Installation

2004-2008 Road Glide



STEP 1: Carefully remove the factory complete front fairing from your bike, being careful that all electrical components are unplugged properly.

STEP 2: Locate the adjuster retaining clips (usually green in color) on the back of the fairing. Remove each clip one at a time in order to release the headlight and head mounting assembly from the fairing.

STEP 3: Remove the eight screws (4 each) that hold the factory lamps in place. Remove the existing headlights and set aside.

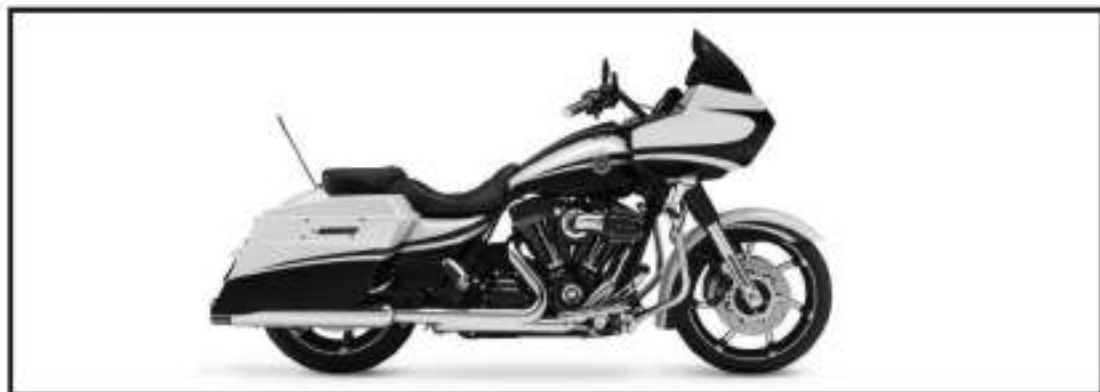
STEP 4: On most 2004-2008, you may have to file down the plastic inside parameter in order to allow the XMC LED Headlight lens to fit through. Once inside the mounting assembly, reinstall the mounting screws. Do NOT over-tighten. Snap all retaining clips back into the stock front fairing.

STEP 5: To have the LED Halo activated while the bike is on, most models have an accessories wire located on the factory harness near the headlight plug. Or, simply wire one lamp to the other and find a power wire that is when ignition is ON and tap the white halo wire into that source. Additionally, you can tap the white single wire into the blue wire off the XMC LED Headlight.

STEP 6: Reinstall the front fairing reconnecting all unplugged harness's and plug the XMC LED Headlights into the stock harness.

XMC-5750D Headlight Installation

2009-2013 Road Glide



STEP 1: Begin by removing the stock front outer bezel, being careful to not damage the small tabs that hold the bezel in place.

STEP 2: Once bezel is removed, locate and remove the four screws that hold each headlight in place. Once removed, unplug the fixture and set aside.

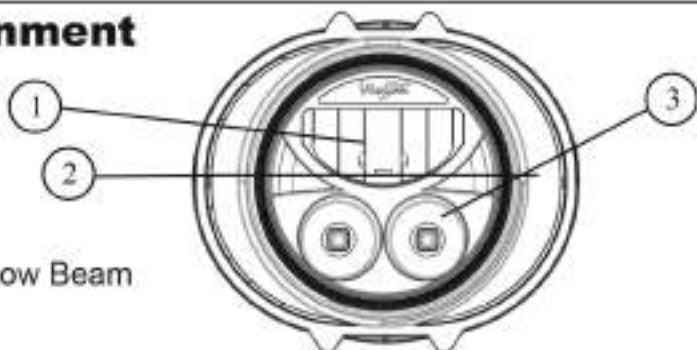
STEP 3: Plug the factory harness into the new XMC LED Headlight. If you'd like the halo always on when the ignition and acc factory switch is activated, locate the acc power wire in the fairing (in the left inside of the fairing). Using the hot wire, hook both the white wires off the XMC lamp to this one acc wire. Now the halo will be always on and can be activated when parked by turning your switch to Acc.

STEP 4: Install the headlight, making sure all wiring behind the fixture is clear. Do NOT over tighten screw that hold the light in the fixture.

STEP 5: Repeat previous steps for the adjacent fixture.

STEP 6: Test all functions of both XMC Headlights to ensure they are working 100% before reinstalling the stock front outer bezel.

Headlamp Alignment



STEP 1: Low Beam

STEP 2: Centerline of Low Beam

STEP 3: High Beam

