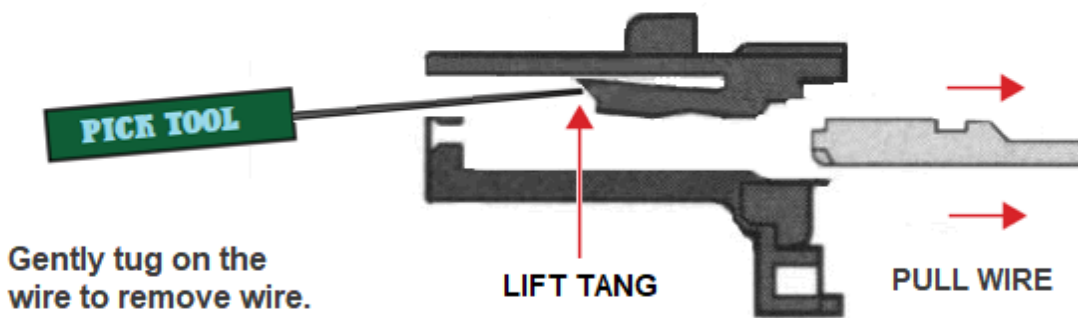
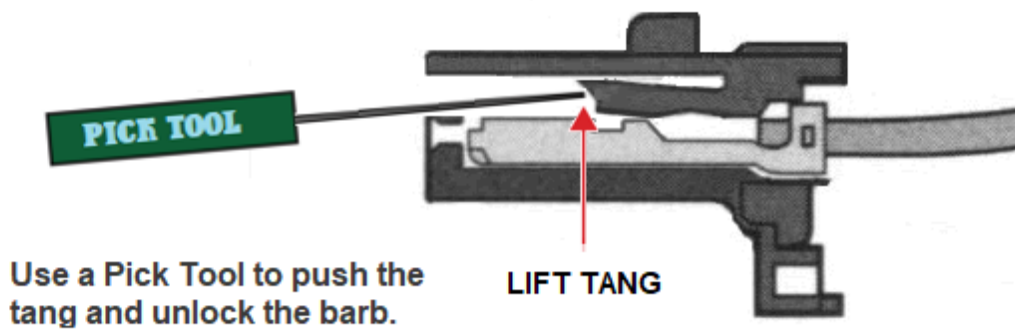
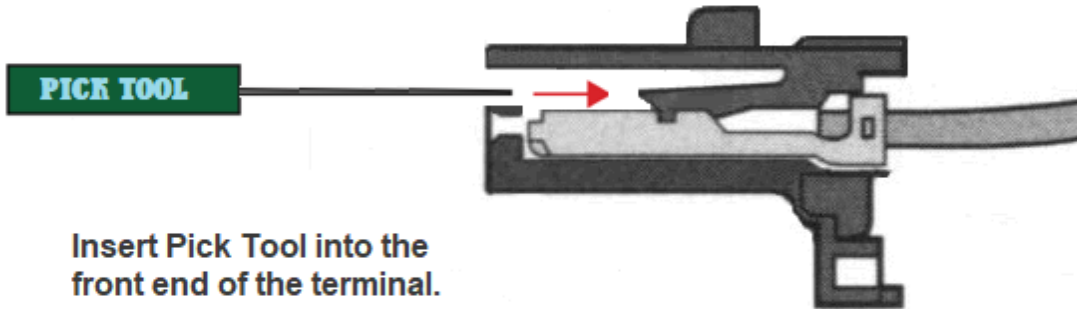


HOW TO EASILY REMOVE WIRES FROM A TERMINAL

3 STEPS



NOTE: Cavity numbers are stamped into the housings. Match the wire color to the cavity number.