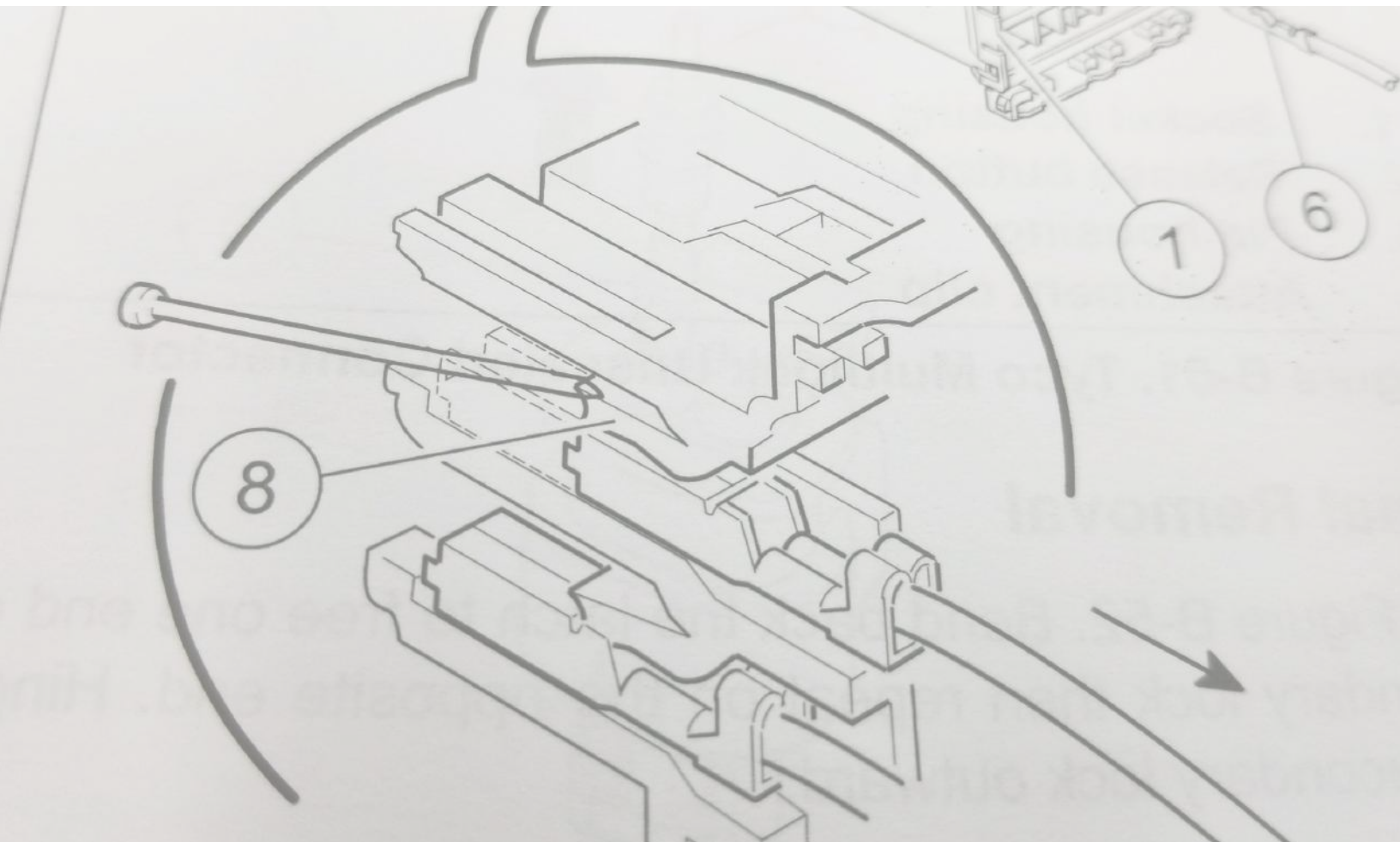


THROTTLE GRIP SENSOR



INSTALL INSTRUCTIONS



1. Once you have pulled your throttle sensor from your stock bars, you must cut the original sheathing from the sensor harness. (Figure 1 - 2)



2. Using the supplied 1/2" heat shrink, slide heat shrink on & heat to shrink in place. You can cut the shrink in half to make this task easier and shrink each piece.

Overlap by about 1/2".
(Figure 3-4)



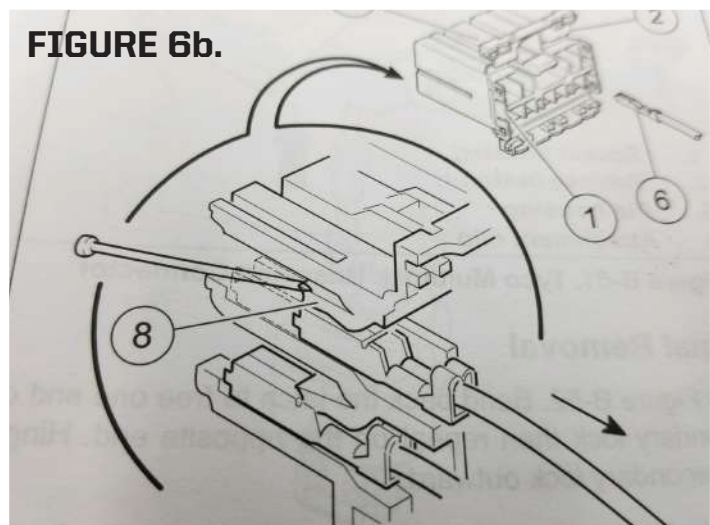
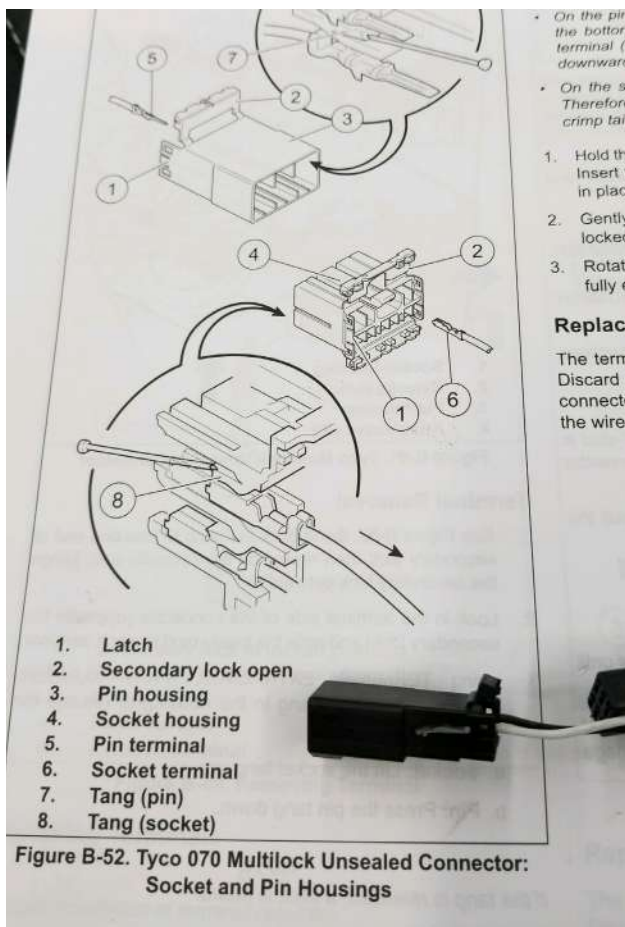


FIGURE 5

3. Unlock back of 2-pin connector, mark side with white wire with Sharpie. This will make it easy when you reassemble connector. (Figure 5)

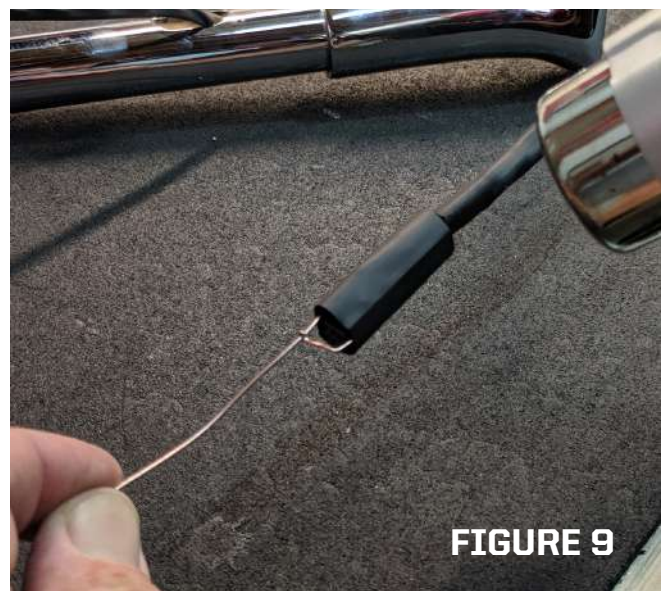
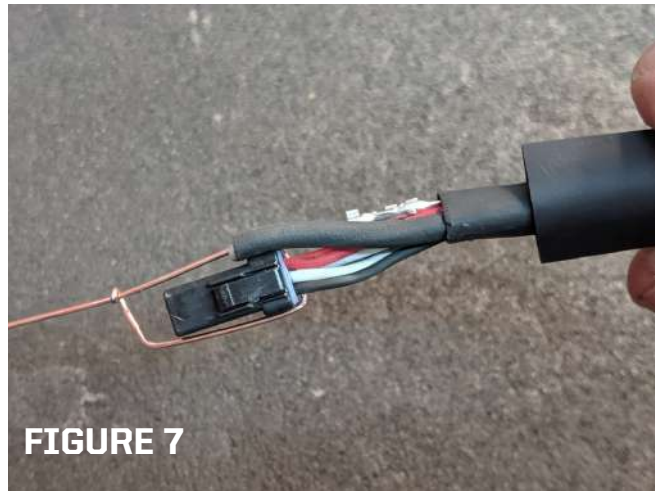
Use a pick and lift lock while pulling terminal from connector (Figure 6a. | 6b.)

FIGURE 6a.



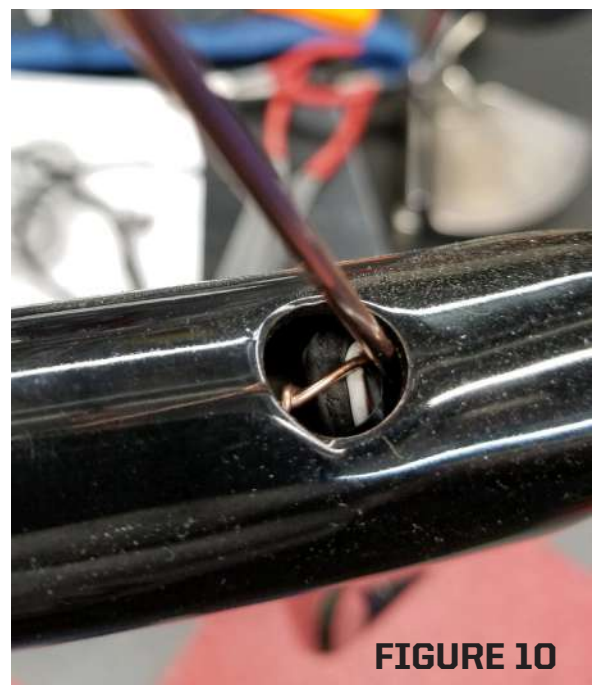
4. Now secure throttle harness to pull wire.

Cut eyelet off end of pull wire, then at 1 1/2" bend pull wire 90° then at 1/4" bend pull wire another 90°.
(Figure 7-9)



5. Then insert end of throttle harness and twist pull wire around harness one full twist, then cut off excess. Tape harness ends to harness. You may use the supplied silicone lube to help with pulling through bar.
(Figure 10)

When pulling harness up away from armpit of corner, use a long screwdriver to help push connector by corner. You must push as you pull.



6. Use hole in bottom of bar to assist with pulling of harness through bottom of bar. Use a hook made from wire or a curved pick to assist movement of harness.
(Figure 11-12)

Do not pierce wires with hook. Work connector through hole in front of bar until throttle twist grip is fully seated in grip tube/slots.



FIGURE 11



FIGURE 12

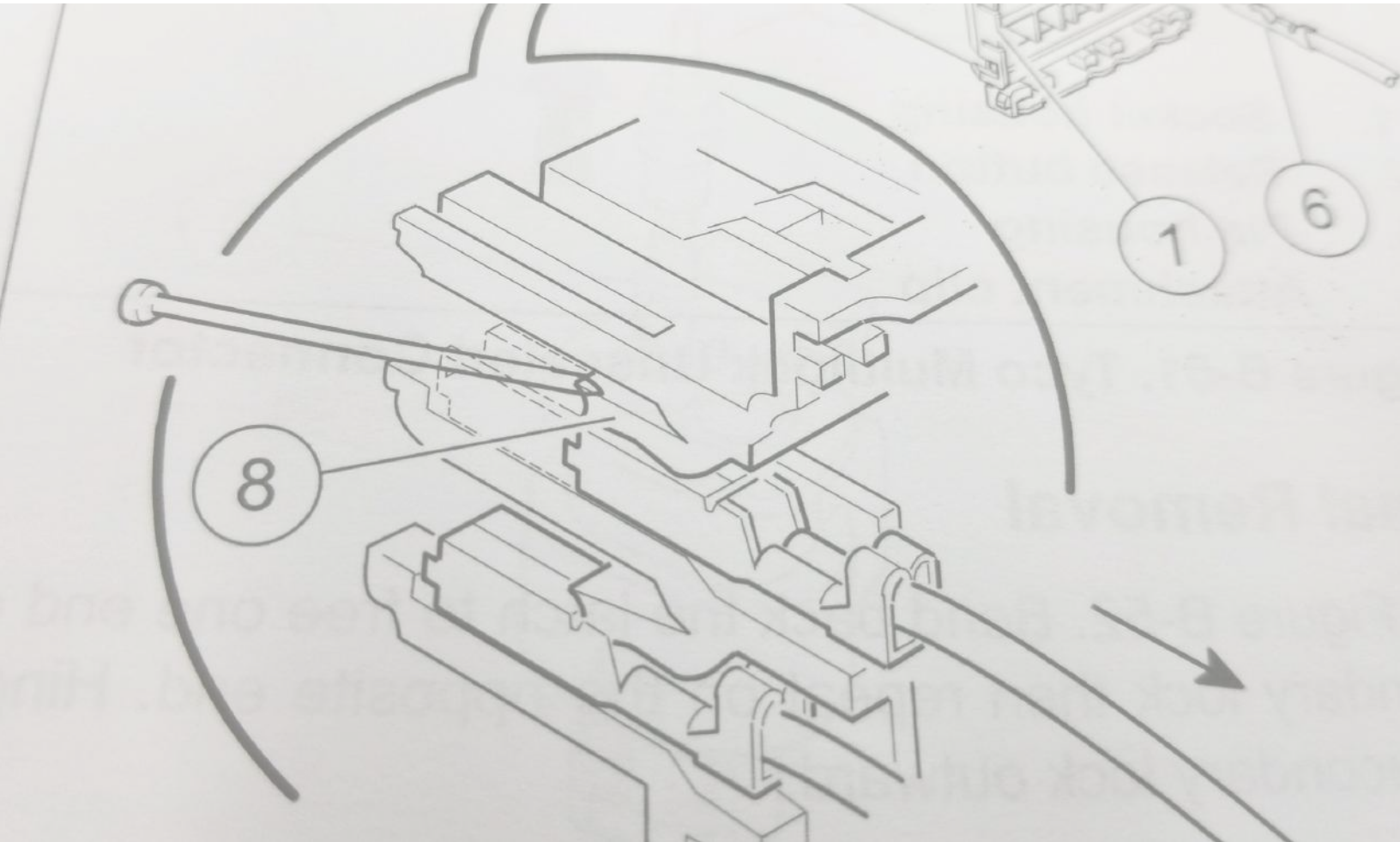
7. Remove tape and pull wire from harness.

Reinstall connector, making sure white wire is in correct slot of connector, close back of connector.
(Figure 13)

You are ready for grips and controls.



FIGURE 13



THROTTLE GRIP SENSOR

Paul Yaffe's
Bagger
Nation™

602.840.4205
BAGGERNATION.COM